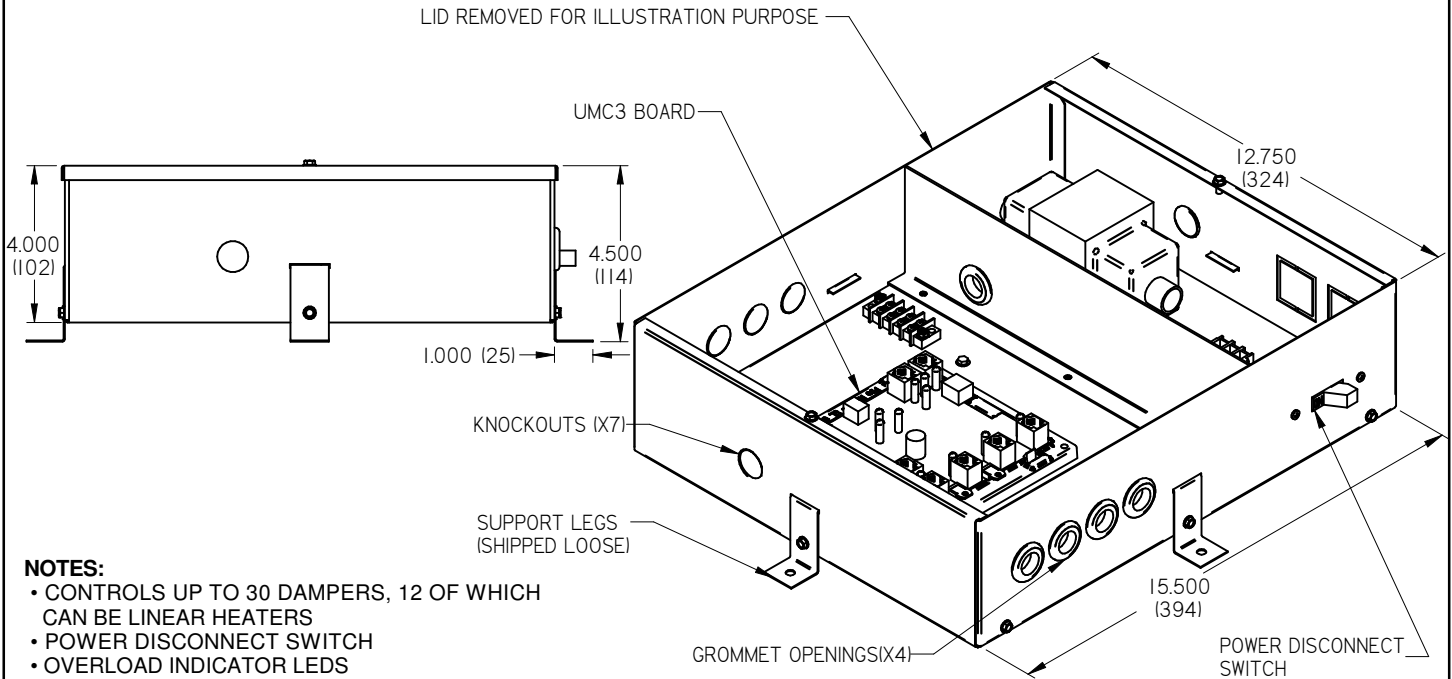


**PCM - POWER AND CONTROL MODULE  
CONTROL BY PRICE FOR INTERIOR AND PERIMETER ZONES**



**NOTES:**

- CONTROLS UP TO 30 DAMPERS, 12 OF WHICH CAN BE LINEAR HEATERS
- POWER DISCONNECT SWITCH
- OVERLOAD INDICATOR LEDS
- 20 GAUGE GALV. STEEL ENCLOSURE
- CABLE INCLUDED WITH THERMOSTAT
- ETL CERTIFIED TO UL873
- CONTROL BOARDS ARE RoHS COMPLIANT
- FCC PART 15, SUBPART B COMPLIANT

**MODUFLEX ZONE TYPE:**

- IZ2 - INTERIOR ZONE - UMC3 COOL
- PZ1 - PERIMETER ZONE WITH UMC3 HEAT/COOL

**ZONE SIZE:**

- SMALL ZONE - COOLING
- SMALL ZONE - HEATING AND COOLING
- LARGE ZONE - COOLING
- LARGE ZONE - HEATING AND COOLING

**HEATING TYPE(PZ1 ONLY):**

- LNT     LFGH

**TRANSFORMER OPTIONS:**

- 120/24 VAC
- 240/24 VAC
- 277/24 VAC

**THERMOSTAT CFLEX CABLE LENGTH (PURPLE):**

- 15FT
- 25FT
- 35FT

**THERMOSTAT OPTIONS:**

- NO PRICE THERMOSTAT, 0-10 VDC INPUT SIGNAL BY OTHERS
- BLANK FACE THERMOSTAT
- DIAL SET-POINT THERMOSTAT
- LCD THERMOSTAT
- LCD WITH MOTION SENSOR THERMOSTAT
- LCD WITH CO2 AND HUMIDITY MONITORING THERMOSTAT
- WIRELESS WITH DIAL SET-POINT THERMOSTAT(DIFFUSER REQUIRED FOR WIRELESS RECIEVER)

**HIGH VOLTAGE MODULAR CONNECTION (OPTIONAL):**

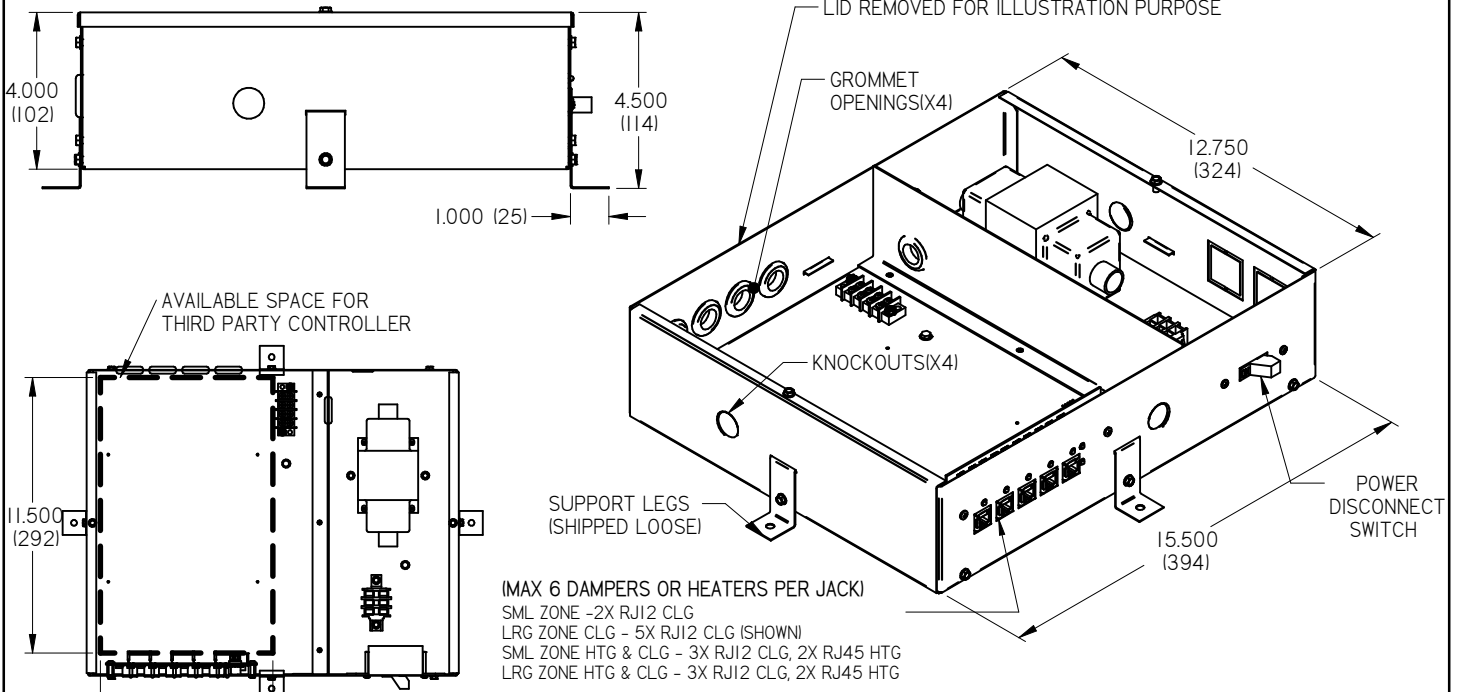
- PLUG AND RECEPTACLE FACTORY-WIRED
- HIGH VOLTAGE CONNECTION CABLES CAN BE ORDERED SEPARATELY THROUGH THE HVC MODEL



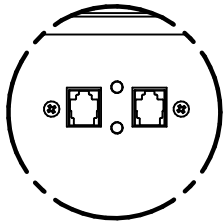
ALL METRIC DIMENSIONS ( ) ARE SOFT CONVERTED. IMPERIAL DIMENSIONS ARE CONVERTED TO METRIC AND ROUNDED TO THE NEAREST MILLIMETER.

|                        |                      |               |  |
|------------------------|----------------------|---------------|--|
| <b>PROJECT:</b>        |                      | <b>PRICE</b>  |  |
| <b>ENGINEER:</b>       |                      | <b>NS</b>     | <b>PCM</b>   |
| <b>CUSTOMER:</b>       |                      | <b>269820</b> | POWER AND CONTROL MODULE<br>CONTROL BY PRICE<br>INTERIOR AND PERIMETER ZONES |
| <b>SUBMITTAL DATE:</b> | <b>SPEC. SYMBOL:</b> | 11/06/2018    |  |

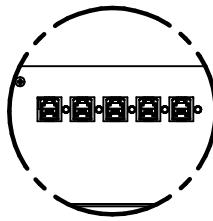
**PCM - POWER AND CONTROL MODULE  
CONTROL BY OTHERS**



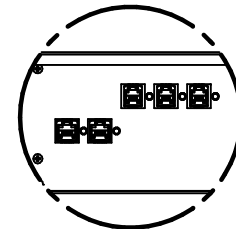
(MAX 6 DAMPERS OR HEATERS PER JACK)  
 SML ZONE - 2X RJ12 CLG  
 LRG ZONE CLG - 5X RJ12 CLG (SHOWN)  
 SML ZONE HTG & CLG - 3X RJ12 CLG, 2X RJ45 HTG  
 LRG ZONE HTG & CLG - 3X RJ12 CLG, 2X RJ45 HTG



SML ZONE CLG



LRG ZONE CLG



HTG & CLG ZONE

**NOTES:**

- ALLOWS CONNECTING THIRD PARTY CONTROLLERS TO A DAISY CHAIN PLUG AND PLAY BOARD FOR EASY CONNECTION TO PRICE DAMPERS
- POWER DISCONNECT SWITCH
- POWER INDICATOR LED
- OVERLOAD INDICATOR LED
- 20 GAUGE GALV. STEEL ENCLOSURE
- ETL CERTIFIED TO UL873
- FCC PART 15, SUBPART B COMPLIANT
- CONTROL BOARDS RoHS COMPLIANT EXCEPT FOR SMALL ZONE CLG

**CONTROLS OPTIONS:**

- FACTORY MOUNTED DIGITAL CONTROLS SUPPLIED BY OTHERS
- FIELD MOUNTED, CONTROLS SUPPLIED BY OTHERS

**ZONE SIZE:**

- SMALL ZONE CLG (CONTROLS UP TO 12 DAMPERS)
- SMALL ZONE HTG & CLG (CONTROLS UP TO 12 DEVICES)
- LARGE ZONE CLG (CONTROLS UP TO 30 DAMPERS)
- LARGE ZONE HTG & CLG (CONTROLS UP TO 12 HEATERS AND 18 DAMPERS)

**TRANSFORMER OPTIONS:**

- 115/24 VAC
- 240/24 VAC
- 277/24 VAC

**HIGH VOLTAGE MODULAR CONNECTION (OPTIONAL):**

- PLUG AND RECEPTACLE FACTORY-WIRED
- HIGH VOLTAGE CONNECTION CABLES CAN BE ORDERED SEPARATELY THROUGH THE HVC MODEL

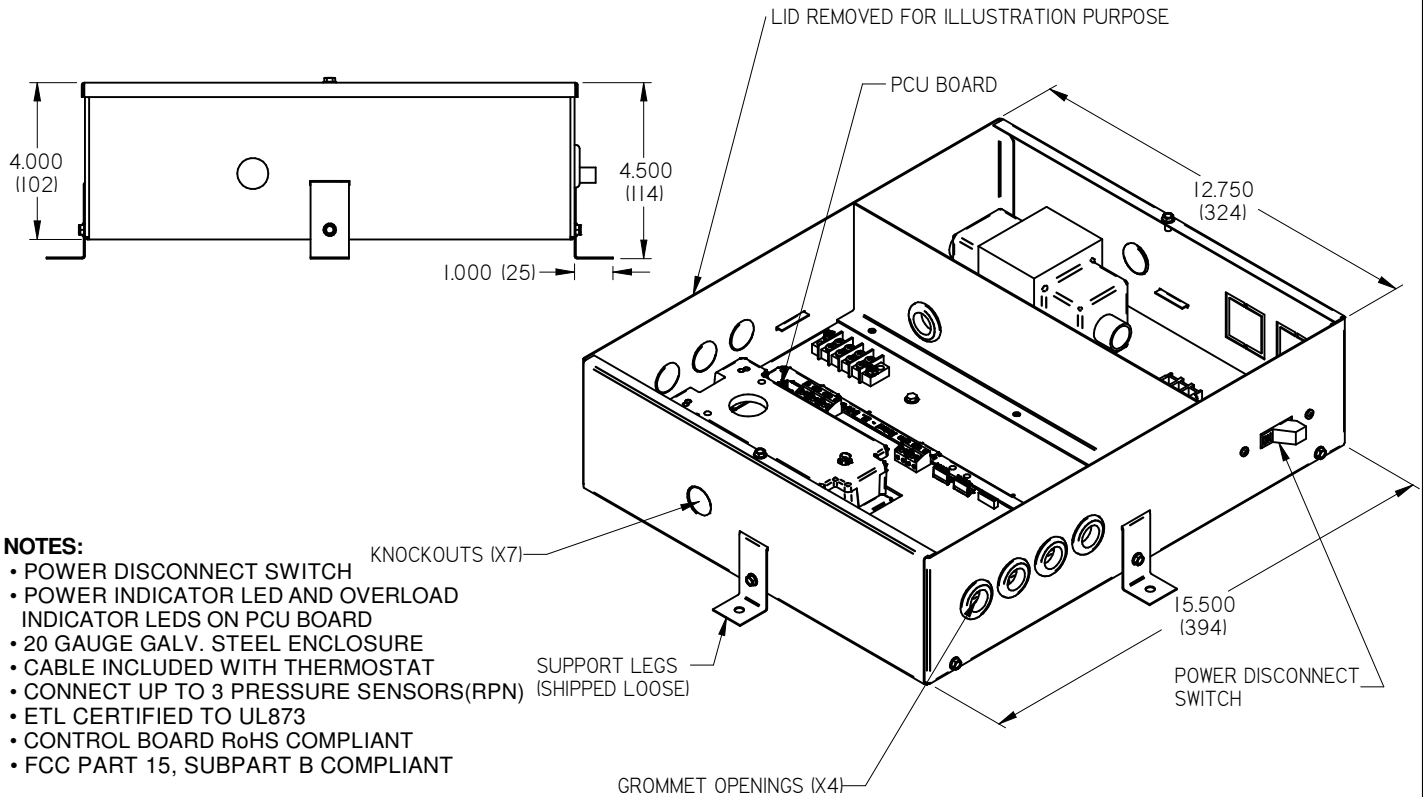


**Intertek**

ALL METRIC DIMENSIONS ( ) ARE SOFT CONVERTED. IMPERIAL DIMENSIONS ARE CONVERTED TO METRIC AND ROUNDED TO THE NEAREST MILLIMETER.

|                        |  |   |
|------------------------|--|---|
| <b>PROJECT:</b>        |  | <b>PRICE</b>  |
| <b>ENGINEER:</b>       |  |   |
| <b>CUSTOMER:</b>       |  | <b>NS</b>   |
| <b>SUBMITTAL DATE:</b> |  | <b>269831</b>   |
| <b>SPEC. SYMBOL:</b>   |  | <b>04/13/2018</b>   |
|                        |  | <b>PCM</b><br>POWER AND CONTROL MODULE<br>CONTROL BY OTHERS |

**PCM - POWER AND CONTROL MODULE  
CONTROL BY PRICE FOR PLENUM PRESSURIZATION**



**NOTES:**

- POWER DISCONNECT SWITCH
- POWER INDICATOR LED AND OVERLOAD INDICATOR LEDS ON PCU BOARD
- 20 GAUGE GALV. STEEL ENCLOSURE
- CABLE INCLUDED WITH THERMOSTAT
- CONNECT UP TO 3 PRESSURE SENSORS(RPN)
- ETL CERTIFIED TO UL873
- CONTROL BOARD RoHS COMPLIANT
- FCC PART 15, SUBPART B COMPLIANT

**MODUFLEX ZONE TYPE:**

- PP1- PLENUM PRESSURIZATION

**ZONE SIZE:**

- SMALL ZONE - (UP TO 12 DAMPERS)

**PRESSURE CONTROL OPTION:**

- CONSTANT PRESSURE
- VARIABLE PRESSURE

**PRESSURE SENSORS/RPNS:**

- 1 RPN     2 RPNS     3 RPNS

**TRANSFORMER OPTIONS:**

- 120/24 VAC
- 240/24 VAC
- 277/24 VAC

**THERMOSTAT CFLEX CABLE LENGTH (PURPLE):**

- 15FT
- 25FT
- 35FT

**THERMOSTAT OPTIONS:**

- NO PRICE THERMOSTAT, 0-10 VDC INPUT SIGNAL BY OTHERS (OPTION FOR CONSTANT PRESSURE CONTROL ONLY)
- BLANK FACE THERMOSTAT
- DIAL SET-POINT THERMOSTAT
- LCD THERMOSTAT
- LCD WITH MOTION SENSOR THERMOSTAT
- LCD WITH CO2 AND HUMIDITY MONITORING THERMOSTAT

**HIGH VOLTAGE MODULAR CONNECTION (OPTIONAL):**

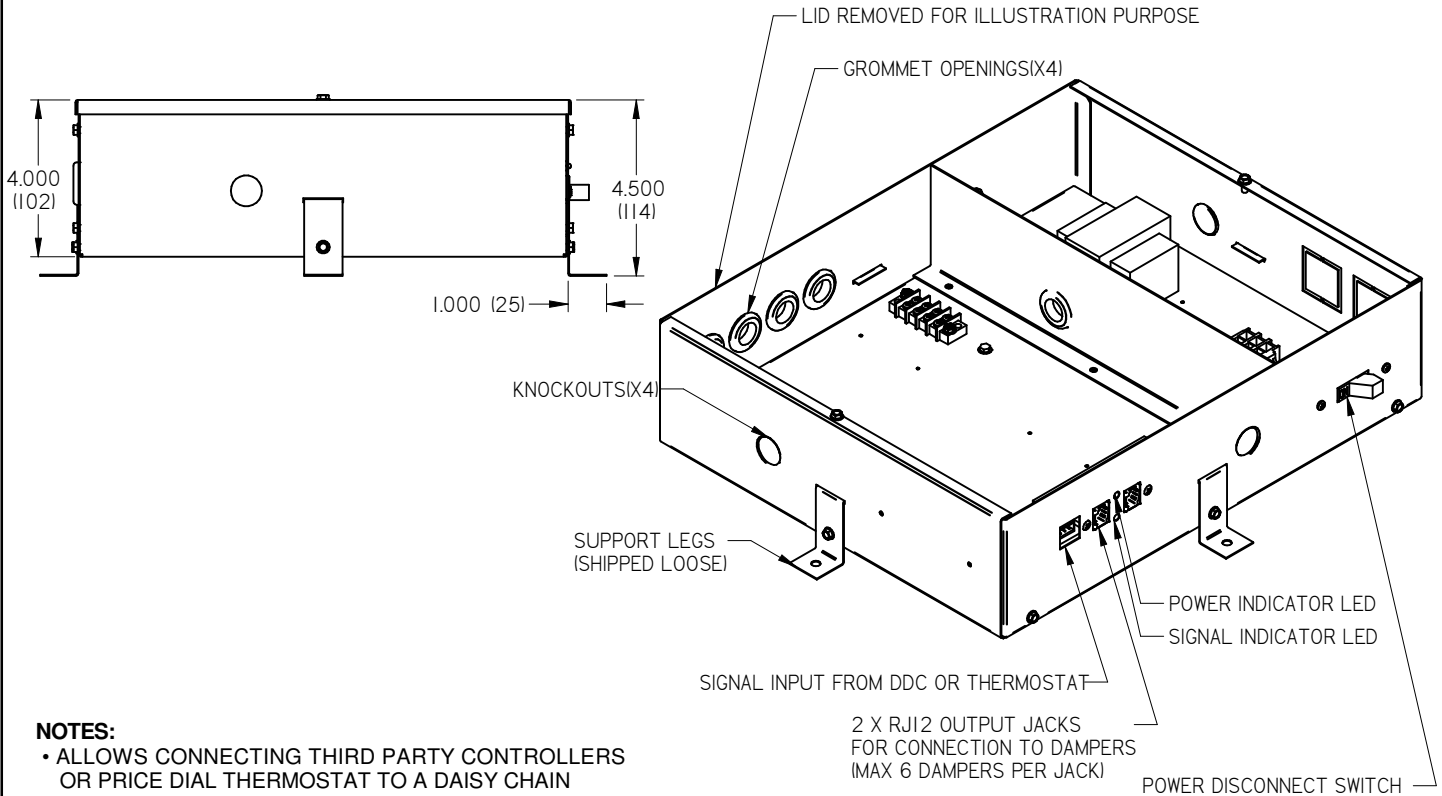
- PLUG AND RECEPTACLE FACTORY-WIRED
- HIGH VOLTAGE CONNECTION CABLES CAN BE ORDERED SEPARATELY THROUGH THE HVC MODEL



ALL METRIC DIMENSIONS ( ) ARE SOFT CONVERTED. IMPERIAL DIMENSIONS ARE CONVERTED TO METRIC AND ROUNDED TO THE NEAREST MILLIMETER.

|                        |                      |               |  |
|------------------------|----------------------|---------------|--|
| <b>PROJECT:</b>        |                      | <b>PRICE</b>  |  |
| <b>ENGINEER:</b>       |                      | <b>NS</b>     | <b>PCM</b>   |
| <b>CUSTOMER:</b>       |                      | <b>270076</b> | <b>POWER AND CONTROL MODULE<br/>CONTROL BY PRICE<br/>PLENUM PRESSURIZATION</b> |
| <b>SUBMITTAL DATE:</b> | <b>SPEC. SYMBOL:</b> | 04/13/2018    |  |

**PCM - POWER AND CONTROL MODULE  
CONTROL BY PRICE FOR INTERIOR ZONE STANDALONE**



**NOTES:**

- ALLOWS CONNECTING THIRD PARTY CONTROLLERS OR PRICE DIAL THERMOSTAT TO A DAISY CHAIN PLUG AND PLAY BOARD FOR EASY CONNECTION TO PRICE DAMPERS
- POWER DISCONNECT SWITCH
- POWER INDICATOR LED
- OVERLOAD INDICATOR LED
- 20 GAUGE GALV. STEEL ENCLOSURE
- ETL CERTIFIED TO UL873
- FCC PART 15, SUBPART B COMPLIANT

**MODUFLEX ZONE TYPE:**

- IZ2 STANDALONE - INTERIOR ZONE WITH UMC1 COOL, NO BACNET

**TRANSFORMER OPTIONS:**

- 115/24 VAC
- 240/24 VAC
- 277/24 VAC

**THERMOSTAT OPTIONS:**

- NO PRICE THERMOSTAT, 0-10 VDC INPUT SIGNAL BY OTHERS
- DIAL SET-POINT THERMOSTAT

**HIGH VOLTAGE MODULAR CONNECTION (OPTIONAL):**

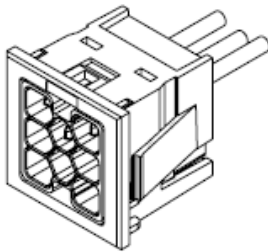
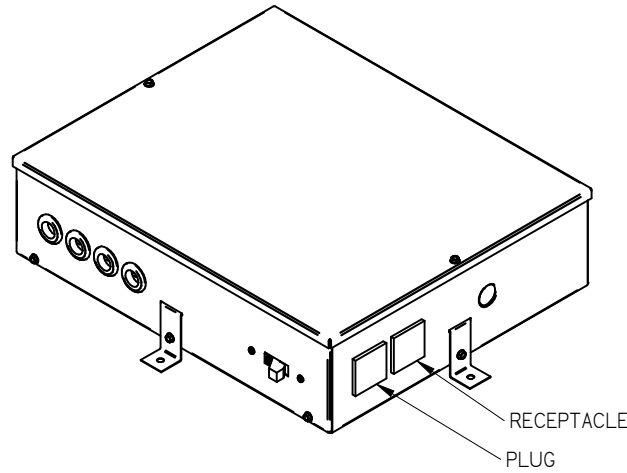
- PLUG AND RECEPTACLE FACTORY-WIRED
- HIGH VOLTAGE CONNECTION CABLES CAN BE ORDERED SEPARATELY THROUGH THE HVC MODEL



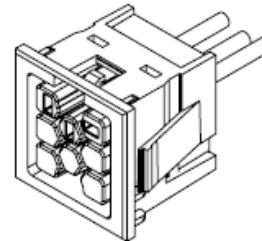
ALL METRIC DIMENSIONS ( ) ARE SOFT CONVERTED. IMPERIAL DIMENSIONS ARE CONVERTED TO METRIC AND ROUNDED TO THE NEAREST MILLIMETER.

|                        |                      |              |            |
|------------------------|----------------------|--------------|------------|
| <b>PROJECT:</b>        |                      | <b>PRICE</b> | <b>PCM</b> |
| <b>ENGINEER:</b>       |                      |              |            |
| <b>CUSTOMER:</b>       |                      | 270590       |            |
| <b>SUBMITTAL DATE:</b> | <b>SPEC. SYMBOL:</b> | 04/13/2018   |            |

**HIGH VOLTAGE MODULAR CONNECTION**



**RECEPTACLE**



**PLUG**

**NOTE:**

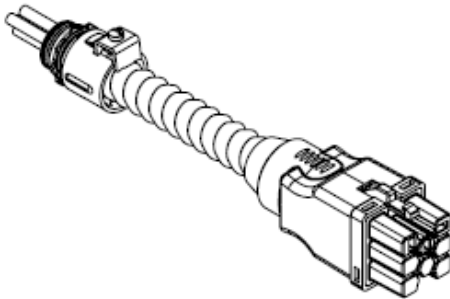
- EACH PCM UNIT COMES WITH A PLUG AND A RECEPTACLE FACTORY-WIRED



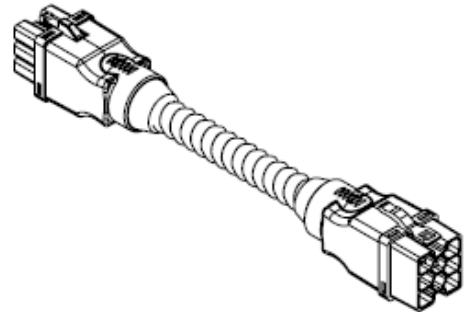
ALL METRIC DIMENSIONS ( ) ARE SOFT CONVERTED. IMPERIAL DIMENSIONS ARE CONVERTED TO METRIC AND ROUNDED TO THE NEAREST MILLIMETER.

|                        |  |  |
|------------------------|--|--|
| <b>PROJECT:</b>        |  | <b>PRICE</b> <sup>®</sup>                        |
| <b>ENGINEER:</b>       |  |  |
| <b>CUSTOMER:</b>       |  | <i>NS</i>  |
| <b>SUBMITTAL DATE:</b> |  | 270591   |
| <b>SPEC. SYMBOL:</b>   |  | 2018/11/02                                       |
|                        |  | <b>PCM</b><br>HIGH VOLTAGE<br>MODULAR CONNECTION |

**HIGH VOLTAGE MODULAR CABLE**



**STARTER CABLE**



**EXTENDER CABLE**

**HIGH VOLTAGE MODULAR CABLES:**

- STARTER CABLE, 20FT
- STARTER CABLE, 40FT
- STARTER CABLE, 60FT
- EXTENDER CABLE, 20FT
- EXTENDER CABLE, 40FT
- EXTENDER CABLE, 60FT

**SUPPLY POWER:**

- 115/24 VAC
- 240/24 VAC
- 277/24 VAC



**Intertek**

ALL METRIC DIMENSIONS ( ) ARE SOFT CONVERTED. IMPERIAL DIMENSIONS ARE CONVERTED TO METRIC AND ROUNDED TO THE NEAREST MILLIMETER.

|                        |                      |              |   |
|------------------------|----------------------|--------------|---|
| <b>PROJECT:</b>        |                      | <b>price</b> | <b>HVC</b><br>HIGH VOLTAGE<br>MODULAR CABLE |
| <b>ENGINEER:</b>       |                      |              |   |
| <b>CUSTOMER:</b>       |                      | 271920       |   |
| <b>SUBMITTAL DATE:</b> | <b>SPEC. SYMBOL:</b> | 2018/11/02   |   |